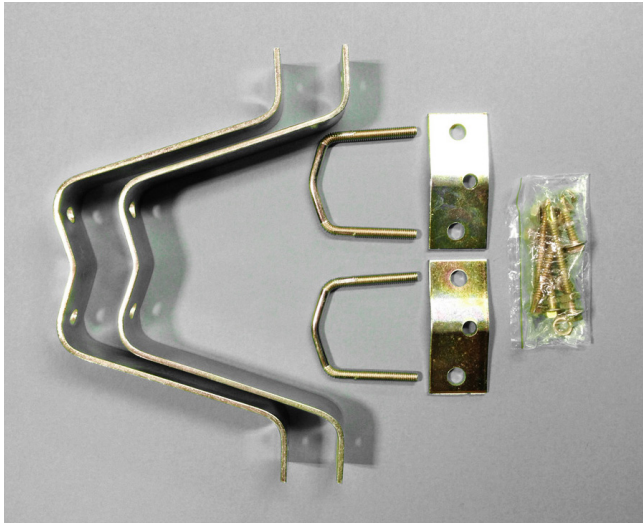


Part Number: 88002/88003



*Wall Mount Hardware Kit: Part Number 88003
(Mast sold separately, see back page)*

Hardware Kits are available for both roof (flat or sloped) and wall mounting. Select the appropriate Hardware Kit and the appropriate mast for your installation. The parts included in the kit are painted, plated, or galvanized to assure maximum longevity.

Refer to mounting illustrations on the back page to determine which kit is appropriate for your application.



*Roof Mount Hardware Kit: Part Number 88002
(Mast sold separately, see back page)*

Specifications

(Items available in kits and separately.)

For Wall Mounting, Part #88003 includes:

Part Number	Description	Per Pkg.
88120	Wall Mounts, 4", with screws	2

(Mast not included: User supplied or select steel mast Part #88005)

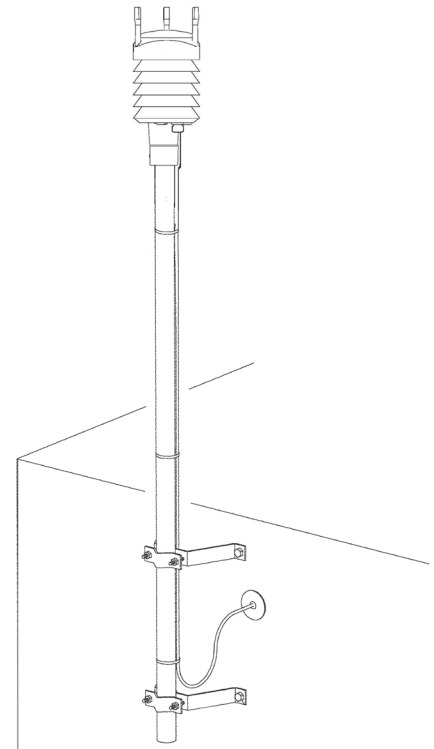
For Roof Mounting, Part #88002 includes:

Part Number	Description	Per Pkg.
88010	Universal Mast Mount	1
88100	Turnbuckles, 6" open x 4" closed	3
88030	Lag Screws, 1/4 x 2 1/4" for composition roof	4
88040	Guy Wire clamp	1
88080	Steel Guy Wire, Galvanized	50 ft.
88090	Eye bolts, wood screw, 1/4"x3"	4

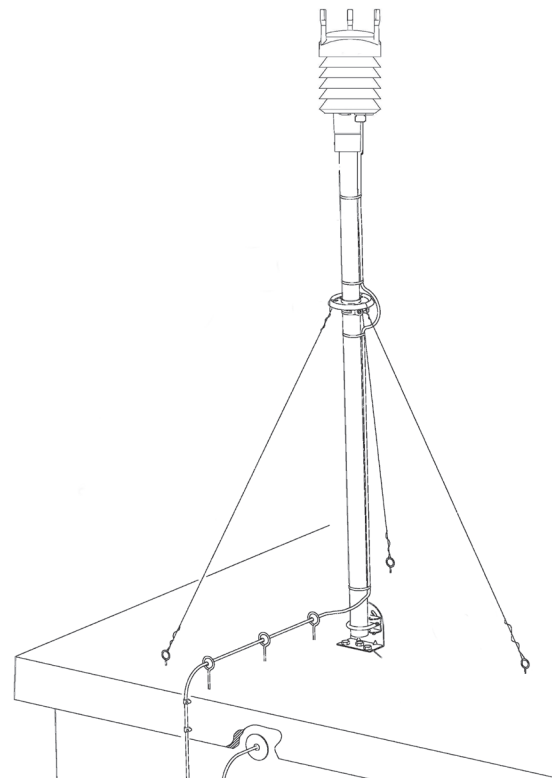
(Mast not included: User supplied or select steel mast)

Mast Options

Part Number	Description	Per Pkg.
88005	Steel Mast, 10-foot shipped in two 5-foot sections	1



Wall Mounting (Part Number 88003)



Roof Mounting, flat or sloped roof (Part Number 88002)



5285 NE Elam Young Pkwy, Suite C100, Hillsboro, OR 97124 | phone 503-629-0887
 info@columbiaweather.com | fax 503-629-0898 | ColumbiaWeather.com

©2020 Columbia Weather Systems, all rights reserved. Specifications may change without notice.