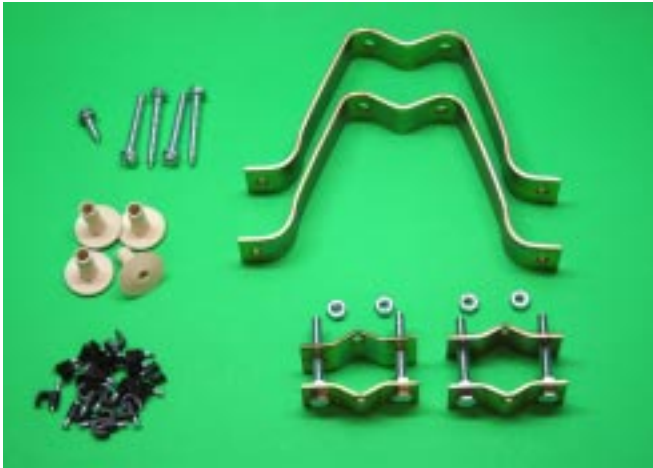


Sensor Mast & Mounting Hardware

Data Bulletin

Catalog Number: 88002/88003



*Wall Mount Hardware Kit: Catalog # 8802
(Mast sold separately, see back page)*



*Roof Mount Hardware Kit: Catalog # 8803
(Mast sold separately, see back page)*

The Wind Sensor Mast and Mounting Hardware Kits include all you need to safely mount your Wind Sensor Assembly and to route the cable properly.

The parts included in the kit are painted, plated, or galvanized to assure maximum longevity.

Kits are available for both roof (flat or sloped) and wall mounting. Refer to mounting illustrations on the back page to determine which kit is appropriate for your application. For special installations individual parts are also available.

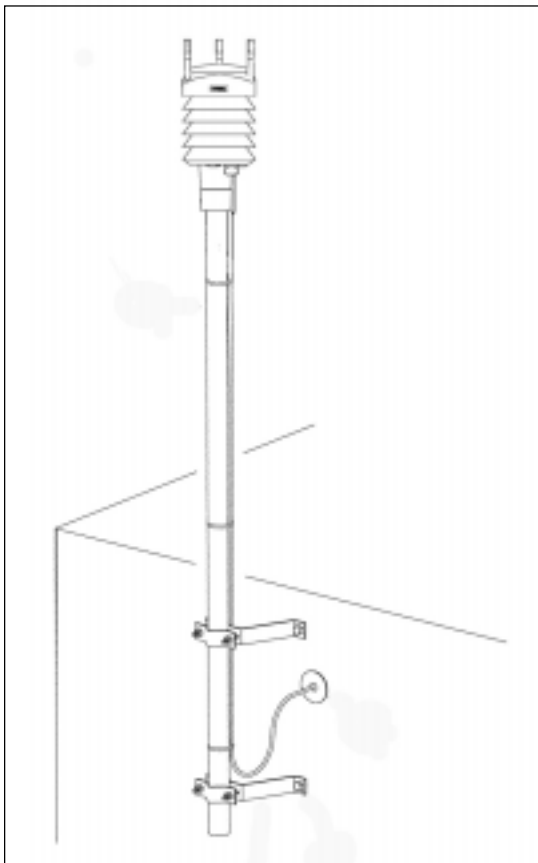
The kit for roof mounting includes insulated standoffs which are used when routing cable to help avoid electrical discharge which could damage the sensors and/or console. Electrical discharge could result from locating the mast and wind sensors under TV and other transmitting antennas or routing cable near cable from other systems, metal windows and door frames, metal gutters, or on a metal tower.

Shielded wind sensor cable is highly recommended for installations subject to RFI/EMI such as that produced by large induction motors, radio transmitters, power lines, etc.

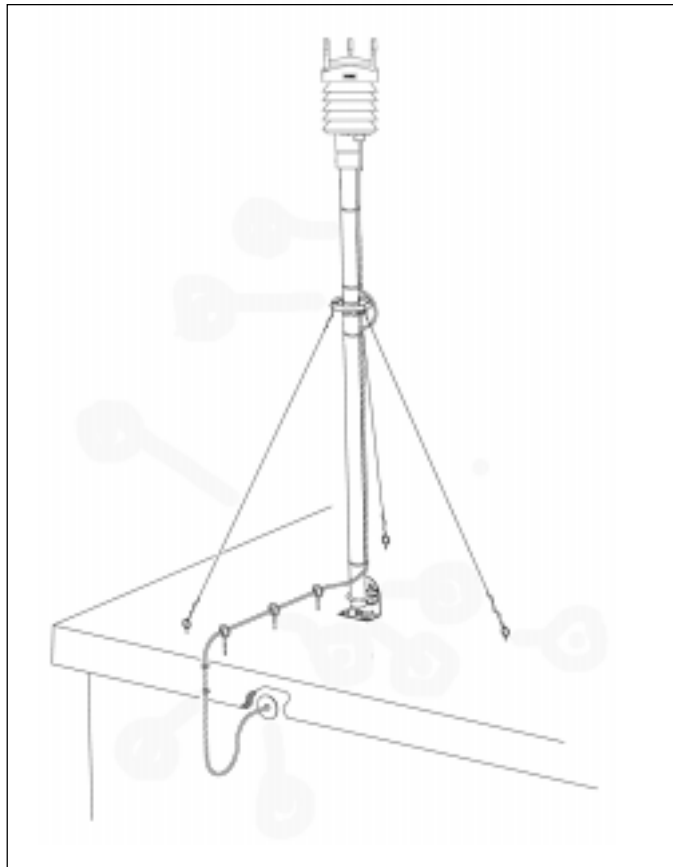
Specify your choice of mast, either steel (Cat. No. 88005) or fiberglass (Cat. No. 88004). Fiberglass masts are recommended for areas prone to lightning. Although nothing can entirely prevent lightning damage to your weather station, the fiberglass mast is "invisible" to static and lightning compared to a metal mast. And, unlike PVC or ABS plastic, the fiberglass mast does not hold a static charge.



Columbia Weather Systems, Inc.
2240 NE Griffin Oaks St., Suite 100
Hillsboro, OR 97124
Toll-free 1 888 508-7375
Phone (503) 629-0887
Fax (503) 629-0898
info@columbiaweather.com
www.columbiaweather.com



Wall Mounting (Cat. No. 88003)



Roof Mounting, flat or sloped roof (Cat. No. 88002)

Specifications and Order Information (Items available in kits and separately.)

For Wall Mounting, Catalog No. 88003 includes:

Cat. #	Description	Per Pkg.
88120	Wall mounts, 4", with screws	2
88110	Cable nail clips	20
88140	Cable feed through bushings	4

Optional, for roof or wall mounting

Cat. #	Description	Per Pkg.
88020	Lag screws, 1/4" x 4" for shake roof	3
88060	Cable standoffs, nail-in for masonry	2
88100	Turnbuckles, 6" open x 4" closed	2
88140	Cable feed through bushings	1
81545	Shielded wind sensor cable, per foot	

For Roof Mounting, Catalog No. 88002 includes:

Cat. #	Description	Per Pkg.
88010	Universal mast mount	1
88030	Lag screws, 1/4" x 2 1/4" for composition roof	4
88040	Guy wire clamp	1
88050	Cable standoffs, wood screw	4
88080	Steel guy wire, galvanized	50 ft.
88090	Eye bolts, wood screw, 1/4" x 3"	4
88110	Cable nail clips	20
88140	Cable feed through bushings	4

Mast Options, for roof or wall mounting

Cat. #	Description	Per Pkg.
88004	fiberglass mast, 10-feet shipped in two 5-foot sections	1
88005	steel mast, 10-feet shipped in two 5-foot sections	1



Columbia Weather Systems, Inc.
 2240 NE Griffin Oaks St.
 Hillsboro, OR 97124
 Toll-free 1 888 508-7375
 Phone (503) 629-0887
 Fax (503) 629-0898
 info@columbiaweather.com
 www.columbiaweather.com