

Sensor Mast & Mounting Hardware Kits

Data Bulletin

Catalog Number: 88002/88003



Wall Mount Hardware Kit: Catalog # 88003
(Mast sold separately, see back page)

Hardware Kits are available for both roof (flat or sloped) and wall mounting. Select the appropriate Hardware Kit and the appropriate mast for your installation. The parts included in the kit are painted, plated, or galvanized to assure maximum longevity.

Refer to mounting illustrations on the back page to determine which kit is appropriate for your application.

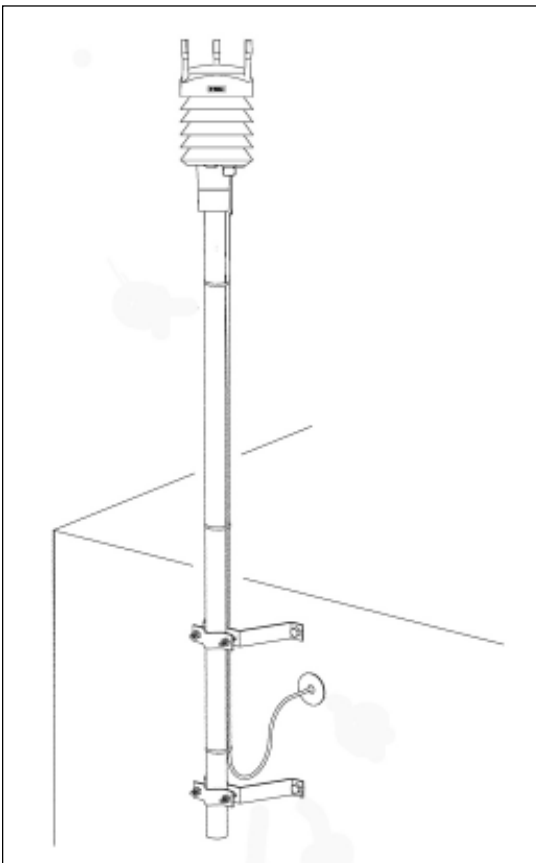


Roof Mount Hardware Kit: Catalog # 88002
(Mast sold separately, see back page)

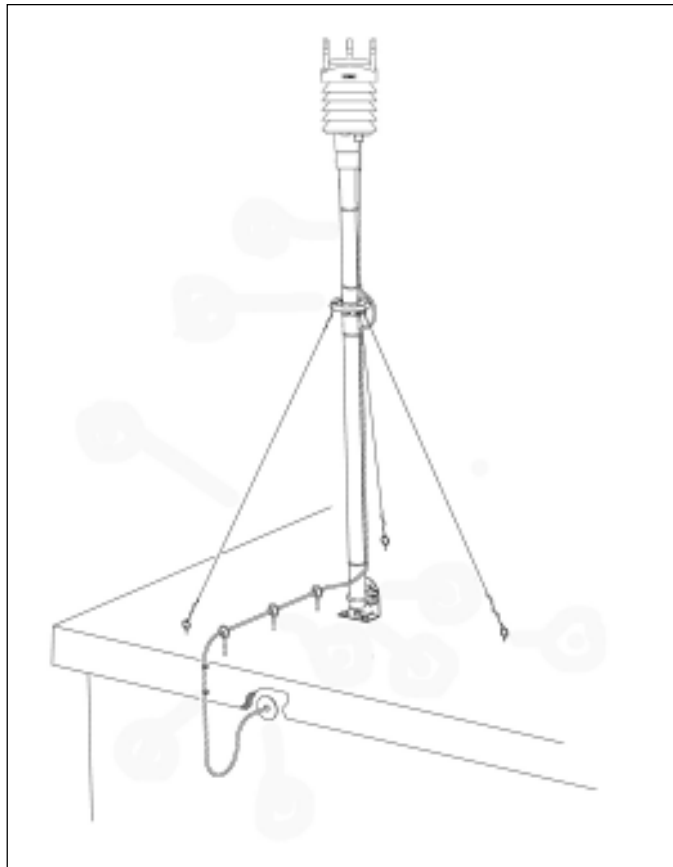


Columbia Weather Systems, Inc.
5285 NE Elam Young Pkwy, Suite C100
Hillsboro, OR 97124

Toll-free 1 888 508-7375
Phone (503) 629-0887
Fax (503) 629-0898
info@columbiaweather.com
www.columbiaweather.com



Wall Mounting (Cat. # 88003)



Roof Mounting, flat or sloped roof (Cat. # 88002)

Specifications and Order Information

(Items available in kits and separately.)

For Wall Mounting, Cat. # 88003 includes:

Cat. #	Description	Per Pkg.
88120	Wall mounts, 4", with screws	2

(Mast not included: User supplied or select steel mast Part # 88005)

Mast Options

Cat. #	Description	Per Pkg.
88004	fiberglass mast, 10-foot shipped in two 5-foot sections	1
88005	steel mast, 10-foot shipped in two 5-foot sections	1

For Roof Mounting, Cat. # 88002 includes:

Cat. #	Description	Per Pkg.
88010	Universal mast mount	1
88100	Turnbuckles, 6" open x 4" closed	3
88030	Lag screws, 1/4" x 2 1/4" for composition roof	4
88040	Guy wire clamp	1
88080	Steel guy wire, galvanized	50 ft.
88090	Eye bolts, wood screw, 1/4" x 3"	4

(Mast not included: User supplied or select either fiberglass or steel mast)



Columbia Weather Systems, Inc.
5285 NE Elam Young Pkwy, Suite C100
Hillsboro, OR 97124

Toll-free 1 888 508-7375
Phone (503) 629-0887
Fax (503) 629-0898
info@columbiaweather.com
www.columbiaweather.com