

Part Number: 88018

The following is intended to provide the basic instructions for mounting the Roof Top Mast.

1. Unpack the shipping box. Inside you will find the Roof Top Mast assembly.
2. Inspect the box and all items inside for damage. Report any damage to the delivering carrier immediately.
3. Select the location for your new Roof Top Mast. Make sure there are no pipes or wiring that will be damaged when the mounting holes are drilled.
4. See figure 2. The pole must fit where you want it when fully stowed, fully extended and throughout the swing.
5. The dimension from the bottom of the inside pole to the bottom of the swing arm ring is 19-3/4". You may need to reset this ring because of movement during shipping.
6. Stand the manual mast upright so it's perpendicular to the mounting surface with the arms extended out as shown in figure 1 and figure 2. Mark and drill your holes for the brackets at the base of the pole and bolt to surface using (2) 3/8" bolts. Mark your holes for the two brackets at the base of the swing arm. Clamp these brackets to the surface and verify the arm and/or pole do not bind through the entire range motion. The dimensions should be close to what is shown in figure 1. Once verified, drill and bolt the swing arm brackets to the surface using (2) 1/4" bolts. If any issues occur, the swing arm ring can be adjusted.
7. Adjust the pole mount ring to the desired location. Mark and drill for (2) 3/8" bolts. Use the pull pin on the pole mount to disengage from the pole.

Figure 1

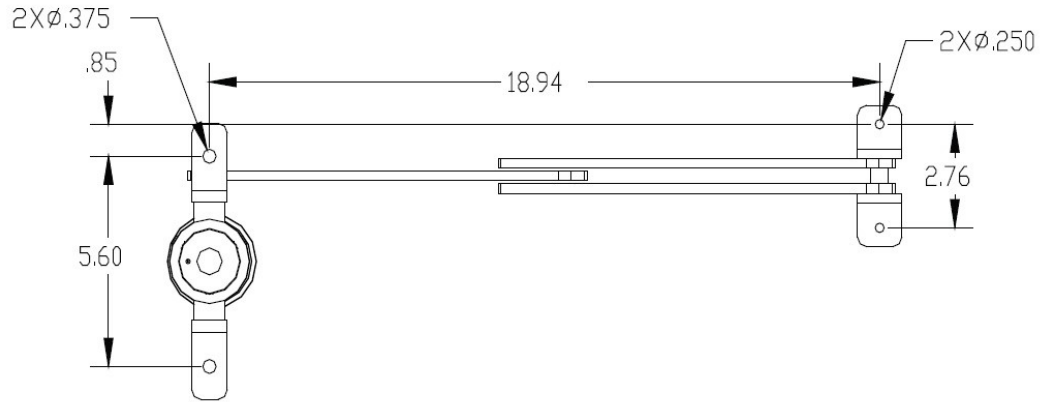
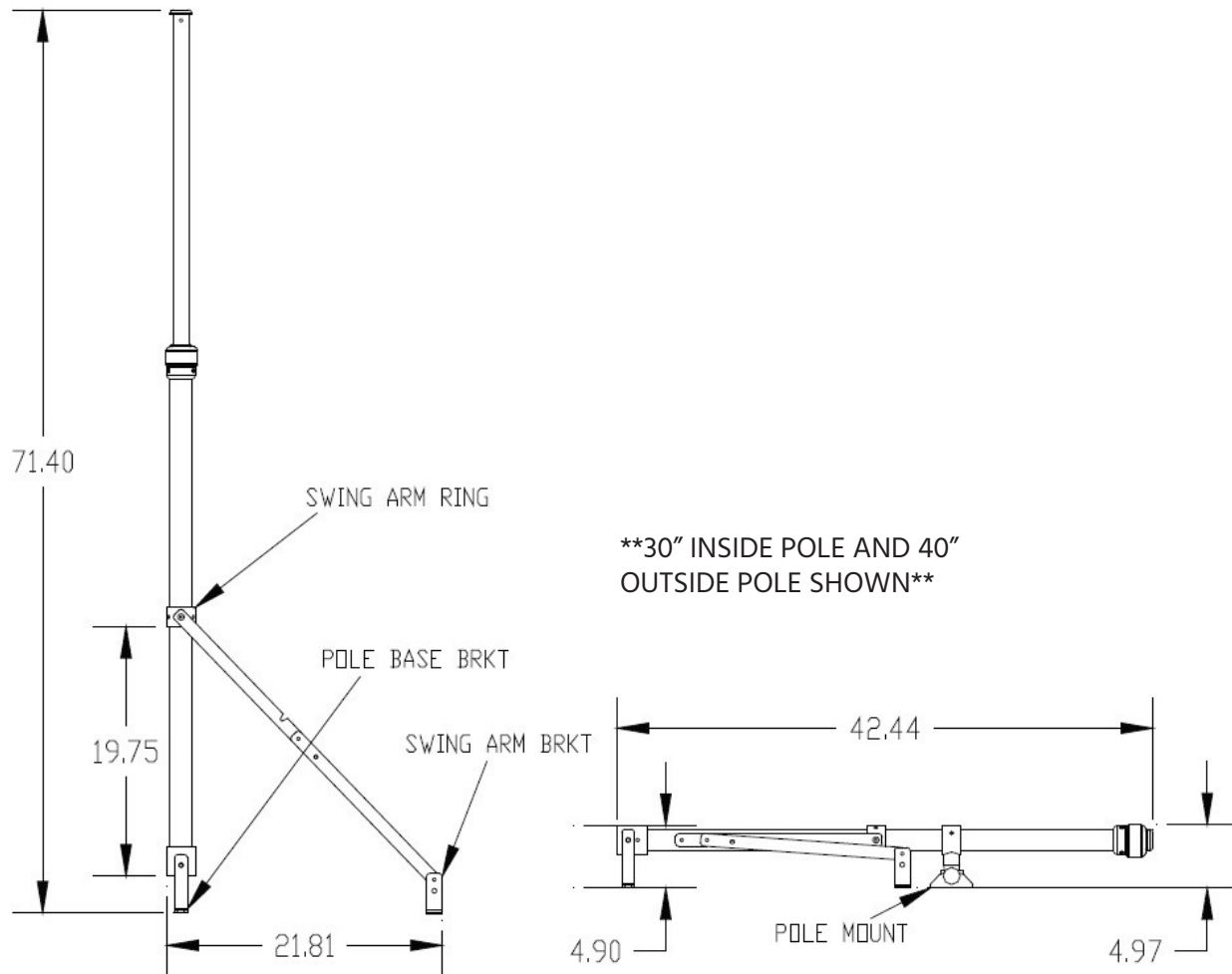


Figure 2



All dimensions are in inches



5285 NE Elam Young Pkwy, Suite C100, Hillsboro, OR 97124 | phone 503-629-0887
info@columbiaweather.com | fax 503-629-0898 | ColumbiaWeather.com

©2020 Columbia Weather Systems, all rights reserved. Specifications may change without notice.