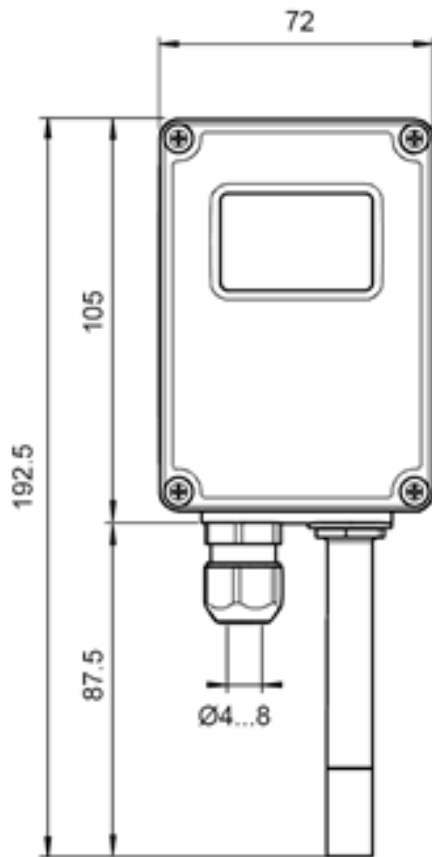


## With 4-20mA Interface

Part Number: 82210-3



Dimensions in mm

*The wall mount Relative Humidity/Temperature Sensor provides two 4 to 20mA outputs for Temperature and Relative Humidity readings.*

The outdoor Relative Humidity/Temperature Sensor provides two 4-20mA outputs for Temperature and Relative Humidity readings. The humidity channel can be configured to output Relative Humidity, Wet Bulb Temperature or Dew Point Temperature. The sensors are installed in a radiation shield that includes a mounting clamp.

### Specifications

**Operating Temperature:** -40° to +140°F

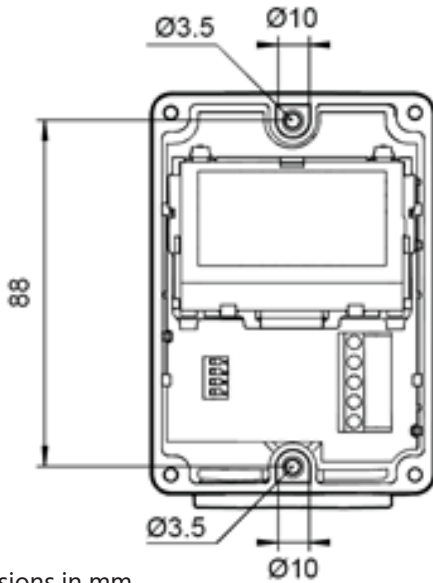
**Supply Voltage:** 10 to 28 VDC

**Measurement Range/Scaling:**

**Relative Humidity:** 0 - 100%

**Temperature:** -40° to +140°F

## Installation



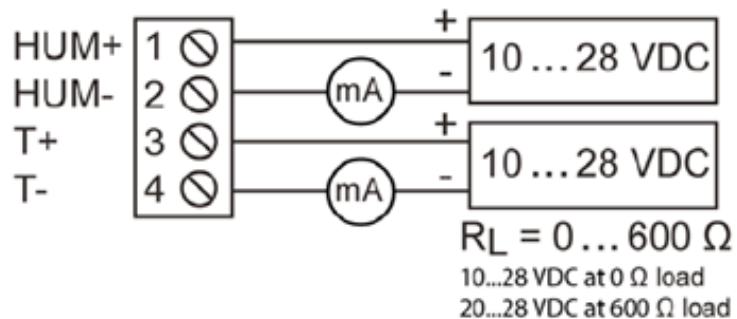
Dimensions in mm

1. Open the transmitter cover and use two screws (not included) to attach the transmitter to the wall. The probe and cable gland should point down.
2. Route the power and signal cable to the screw terminals and connect the wires.
3. Close the transmitter cover and remove the yellow transport protection cap from the probe.

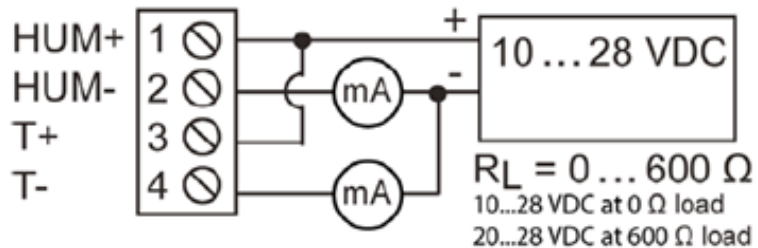
## Wiring Diagram

Two 4 ... 20 mA outputs, temperature output scaling  
-40 ... +60 °C  
(-40 ... +140 °F).

**You must connect the HUM channel even if you only want to measure temperature.**  
Connecting the T channel is optional.



Alternate wiring with one power supply.



5285 NE Elam Young Pkwy, Suite C100, Hillsboro, OR 97124 | phone 503-629-0887  
info@columbiaweather.com | fax 503-629-0898 | ColumbiaWeather.com

©2020 Columbia Weather Systems, all rights reserved. Specifications may change without notice.